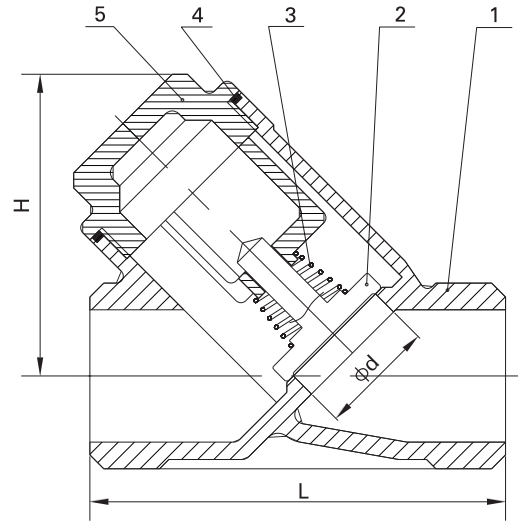


Y TYPE CHECK VALVE

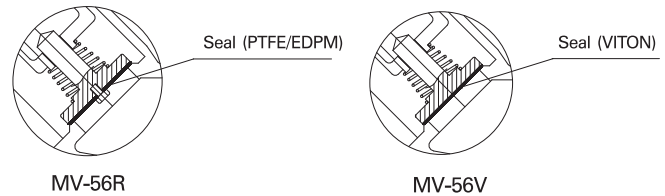
Y型止回阀



MV-56

- 螺纹标准: ISO, BS, DIN, JIS, ASME
- 密封: 金属硬密封/软密封
- 压力等级: 800PSI (PN40)
- 工作温度: -25°C~+180°C
- 材料: CF8M, CF8, CF3M

- Investment casting for body, cap and disc
- Thread: ISO, BS, DIN, JIS, ASME
- Seal: Metal-to-metal / Soft
- Pressure rating: 800PSI (PN40)
- Working temperature: -25°C~+180°C
- Material: CF8M, CF8, CF3M



MATERIAL LIST

ITEM	PART	MATERIAL	QTY.
1	Body	CF8M	1
2	Disc	CF8M	1
3	Spring	SS316	1
4	Body Gasket	PTFE	1
5	Bonnet	CF8M	1

DIMENSION LIST

SIZE	d	L	H	Kgs
1/4"	9.5	64	43	0.21
3/8"	11.5	64	43	0.21
1/2"	15	64	45	0.22
3/4"	20	79	52	0.36
1"	25	90	68	0.61
1-1/4"	30	106	70	0.89
1-1/2"	38	119	80	1.15
2"	47	140	98	1.75
2-1/2"	61	167	117	3.24
3"	75	198	137	5.15
4"	94	238	163	8.54

