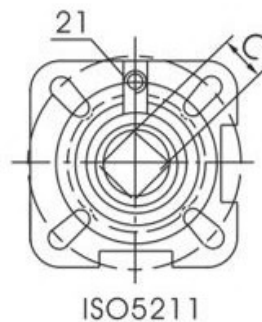
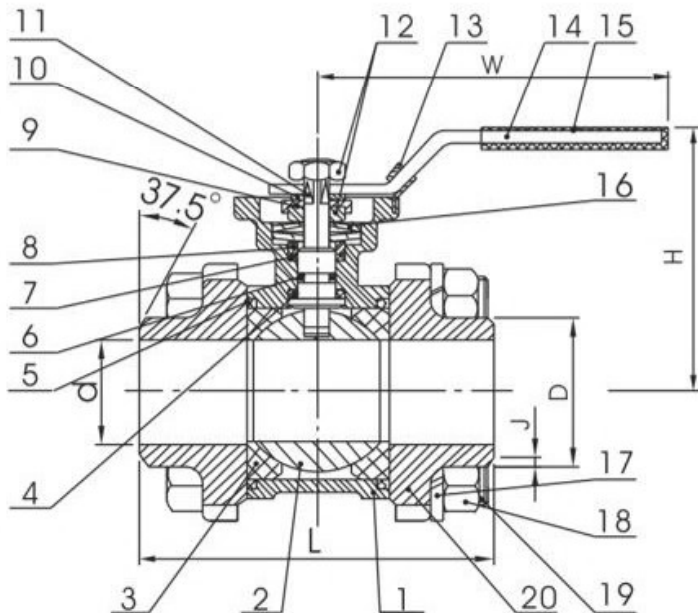




MV-83HB

3-pc Butt-Weld Ball Valve with Mounting Pad

- Length: DIN3202-S13
- 精密铸造德标三片式对焊球阀（通径、带驱动盘）



DIMENSION LIST

| SIZE | d | L | H | W | J | D | C | ISO5211 | N • m | Kgs |
|--------|------|-----|-----|-----|------|------|----|---------|-------|-------|
| 1/4" | 11 | 70 | 59 | 115 | 1.10 | 18.1 | 9 | F03 | 4 | 0.45 |
| 3/8" | 12.5 | 70 | 59 | 115 | 1.10 | 18.1 | 9 | F03 | 4 | 0.46 |
| 1/2" | 15 | 75 | 63 | 117 | 1.75 | 21.7 | 9 | F03/F04 | 5 | 0.47 |
| 3/4" | 20 | 90 | 70 | 134 | 2.00 | 27.2 | 11 | F04/F05 | 8 | 0.85 |
| 1" | 25 | 100 | 74 | 134 | 2.50 | 34 | 11 | F04/F05 | 10 | 1.16 |
| 1-1/4" | 32 | 110 | 88 | 203 | 2.75 | 42.7 | 14 | F05/F07 | 14 | 2.00 |
| 1-1/2" | 40 | 125 | 94 | 203 | 3.00 | 48.6 | 14 | F05/F07 | 18 | 2.90 |
| 2" | 50 | 150 | 102 | 203 | 3.25 | 60.5 | 14 | F05/F07 | 25 | 3.54 |
| 2-1/2" | 65 | 190 | 140 | 255 | 3.50 | 76 | 17 | F07/F10 | 48 | 7.50 |
| 3" | 80 | 220 | 153 | 255 | 4.00 | 93 | 17 | F07/F10 | 75 | 12.00 |
| 4" | 100 | 270 | 166 | 302 | 5.50 | 116 | 17 | F07/F10 | 110 | 20.50 |