

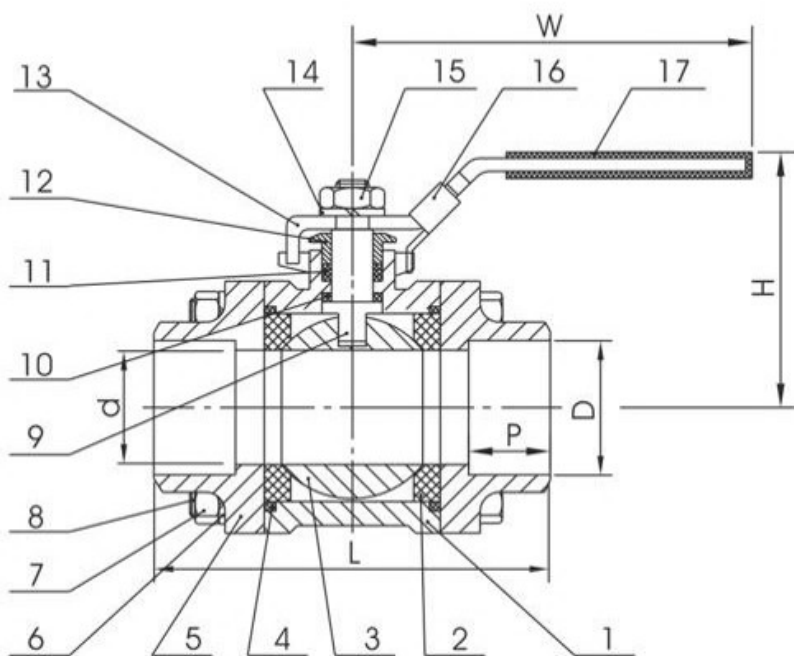


# MV-31S

## 3-pc Socket Weld Ball Valve

- Investment casting for body and cap
- Full bore
- Pressure rating : 1000 PSI (PN63)
- Working temperature: -25°C +180°C
- Material: CF8M, CF8, CF3M, WCB

- 精密铸造三片式承插焊球阀（口径）
- 公称压力：1000 PSI(PN63)
- 工作温度：-25°C +180°C
- 材 料：CF8M, CF8, CF3M, WCB



### DIMENSION LIST

SIZE	d	D	L	H	W	P	N • m	Kgs
1/4"	11	14.1	48	51	105	10	4	0.34
3/8"	12.5	17.1	48	51	105	10	4	0.33
1/2"	15	21.7	54	53	118	10	5	0.35
3/4"	20	27.1	73	60	118	14	8	0.75
1"	25	33.8	79	75	150	14	10	1.11
1-1/4"	32	42.5	90	80	150	15	14	1.61
1-1/2"	40	48.6	102	88	182	15	18	2.55
2"	50	61.1	118	95	182	19	25	3.22
2-1/2"	65	73.8	151	121	254	21	48	6.40
3"	80	89.8	182	135	254	24	75	10.85
4"	100	115.2	218	158	285	24	110	19.05