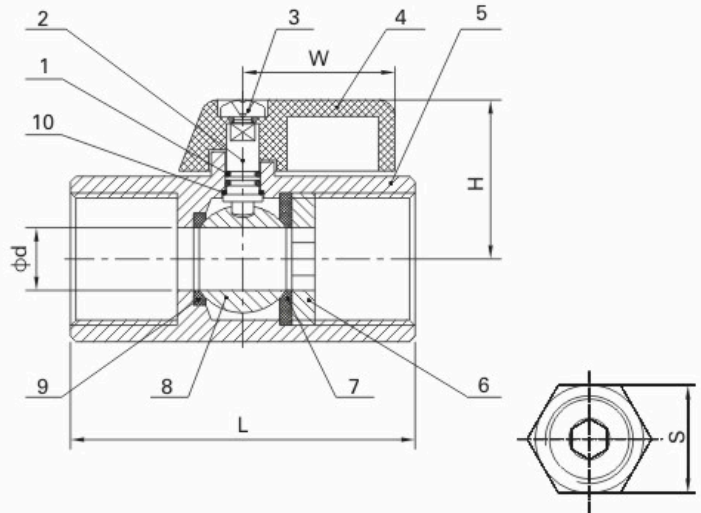


# MINI BALL VALVE

迷你球阀

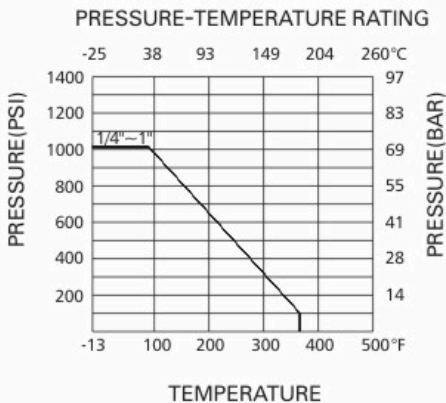


## MV-17

- 缩径
- 螺纹标准: ISO, BS, DIN, JIS, ASME
- 公称压力: 1000PSI (PN63)
- 工作温度: -25°C~+180°C
- 材 料: 316, 304
- Forged for body and cap
- Reduce bore
- Thread: ISO, BS, DIN, JIS, ASME
- Pressure rating: 1000PSI (PN63)
- Working temperature: -25°C~+180°C
- Material: 316, 304

## MATERIAL LIST

ITEM	PART	MATERIAL	QTY.
1	O-Ring	VITON	2
2	Stem	SS316	1
3	Bolt	SS304	1
4	Lever	ALUMINUM ALLOY	1
5	Body	F316	1
6	Cap	F316	1
7	Ball Seat(a)	PTFE	1
8	Ball	SS316	1
9	Ball Seat (b)	PTFE	1
10	Thrust Washer	PTFE	1



## DIMENSION LIST

SIZE	d	L	H	W	S	Kgs
1/4"	8	40	26.5	22.8	21	0.10
3/8"	8	41	26.5	22.8	21	0.10
1/2"	9.2	46	28.3	22.8	24.5	0.12
3/4"	12.5	55	31.5	22.8	31	0.22
1"	15	65	34	22.8	37.5	0.31