

2-PC FLANGE BALL VALVE

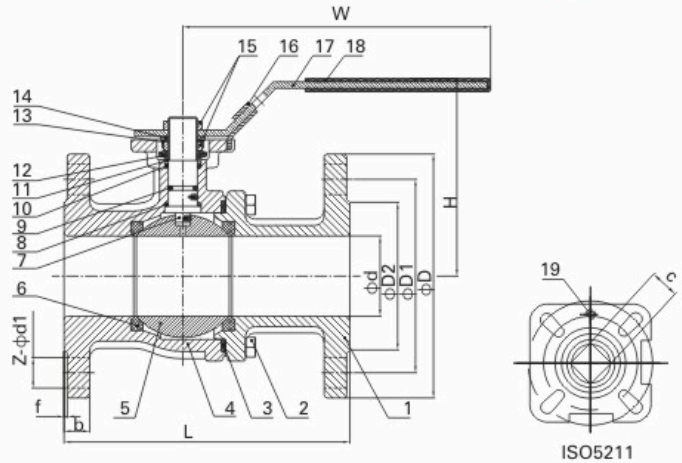
二片式美标法兰球阀



MV-24F

(5"~8")

- 防火设计
 - 法兰标准: ASME B16.5
 - 结构长度: ASME B16.10
 - 驱动盘标准: ISO5211
 - 公称压力: 150Lb/300Lb
 - 工作温度: -25°C~+180°C
 - 材 料: CF8M, CF8, CF3M, WCB
- Investment casting for body and cap
 - Fire-safe design
 - Flanged ends: ASME B16.5
 - Face to face: ASME B16.10
 - Mounting pad: ISO5211
 - Pressure rating: 150Lb/300Lb
 - Working temperature: -25°C~+180°C
 - Material: CF8M, CF8, CF3M, WCB



MATERIAL LIST

ITEM	PART	MATERIAL	QTY.
1	Cap	CF8M	1
2	Bolt	SS304	4/8/12
3	Body Gasket	PTFE	1
4	Body	CF8M	1
5	Ball	SS316	1
6	Ball Seat	R-PTFE(15%)	2
7	Stem	SS316	1
8	Thrust Washer	PTFE	1
9	O- Ring	VITON	1
10	Stem Packing	PTFE	1
11	Stem Ring	SS316	1
12	Belleville Washer	SS301	2
13	Nut Stopper	SS304	1
14	Plate Washer	SS304	1
15	Nut	SS304	2
16	Lock Device	SS304	1
17	Handle	SS304	1
18	Plastic Cover	PLASTIC	1
19	Stop Pin	SS304	1

DIMENSION LIST

SIZE	CL	d	L	D	D1	D2	b	f	H	W	C	ISO5211	Z-φd1	N-m
1/2"	150Lb	15	108	89	60.5	35	11	2	82	117	9	F03/F04	4-φ15	5
	300Lb		140	95	66.5	14.5								
3/4"	150Lb	20	117	98	70	43	11	2	87	117	9	F03/F04	4-φ15	8
	300Lb		152	117	82.5	16							4-φ19	
1"	150Lb	25	127	108	79.5	51	12	2	90	164	11	F04/F05	4-φ15	10
	300Lb		165	124	89	17.5							4-φ19	
1-1/4"	150Lb	32	140	117	89	64	13	2	100	164	11	F04/F05	4-φ15	14
	300Lb		178	133	98.5	19.5							4-φ19	
1-1/2"	150Lb	40	165	127	98.5	73	15	2	116	203	14	F05/F07	4-φ15	18
	300Lb		190	156	114.5	21							4-φ22	
2"	150Lb	50	178	152	120.5	92	16	2	125	203	14	F05/F07	4-φ19	25
	300Lb		216	165	127	22.5							8-φ19	
2-1/2"	150Lb	65	190	178	139.5	105	18	2	164	255	17	F07/F10	4-φ19	48
	300Lb		241	190	149	25.5							8-φ22	
3"	150Lb	80	203	190	152.5	127	19	2	174	255	17	F07/F10	4-φ19	75
	300Lb		283	210	168.5	29							8-φ22	
4"	150Lb	100	229	229	190.5	157	24	2	200	302	17	F07/F10	8-φ19	110
	300Lb		305	254	200	32							8-φ22	
5"	150Lb	125	356	254	216	186	24	2	260	600	22	F10/F12	8-φ22	200
	300Lb		381	279	235	35							8-φ22	
6"	150Lb	150	394	279	241.5	216	26	2	278	600	22	F10/F12	8-φ22	300
	300Lb		403	318	270	37							12-φ22	
8"	150Lb	200	457	343	298.5	270	29	2	340	800	27	F12/F14	8-φ22	400
	300Lb		502	381	330	41.5							12-φ25	

